



PM-2 & PM-6

User Manual

Contents

Contents	2
Don't be a stranger	3
Package contents	3
A few words on your new speakers	3
Installation	4
Using spikes.....	4
Mounting the driver grilles.....	4
Connecting your speakers.....	5
Bi-wiring and bi-amping.....	5
Placing the speakers.....	5
Make it last!	6
If all else fails...	6
Technical stuff	7
PM-2 technical specifications.....	7
PM-6 technical specifications.....	7



Don't be a stranger

Thank you for purchasing this Gato Audio product. We are absolutely confident that it will bring you many pleasurable hours of listening.

We hereby cordially invite you to join the Gato Audio family by registering your product online. You may also consider signing up for our newsletter to receive information about exciting new products, events and technical updates.

All this and more on www.gato-audio.com

Our very best

Gato Audio

Package contents

Please check that the following is included in the two packages:

- 2 Gato Audio PM speakers
- 2 front grille sets
- 8 spike sets (for PM-6 only)
- This manual - which you should be reading now 😊

A few words on your new speakers

A good cabinet is the essential foundation of any loudspeaker. The PM2 and PM-6 cabinets incorporate several noteworthy details. First of all, the cabinet is made from solid high-density fiberboard, and the rounded sides are laminated with up to five layers to ensure strength, stiffness and resonance control. Secondly, the rounded shape itself ensures that stationary waves inside the cabinet never will become a problem. Thirdly, the solid back profile does not only round off the rear of the speaker in design terms; it also has a function: to add mass and by that dampening resonances and vibration. The cabinet shape will transfer vibration from the front panel to the rear panel. The solid profile is integrated into the cabinet to provide instant high mass and damping. For the PM-6, the coupling of the complete speaker to the floor through machined spikes ensures that the speaker can be adjusted precisely in angle and planeness.

Excellent drivers are the foundation of true-to-life sound: the drivers' capability to react instantly to the provided signal together with total control of mechanical resonance is crucial. The drivers in PM-2 and PM-6 are selected from the best drivers available and then modified further to comply with our demands for technical quality. The midrange reproduction of any speaker is without discussion the most important thing of all, whether it is the reproduction of vocals, high-hat or drums, since all have important tonal information based in this frequency area.

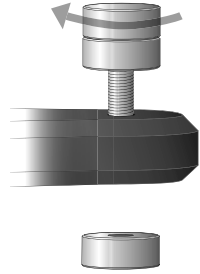
PM-2 features a bass/midrange driver optimized for reproducing the midband with high accuracy, detail and dynamics. A compromise of the deepest bass response is the price to pay for a faithful reproduction of the critical midrange in a compact speaker design.

PM-6 is developed around the same principles as the PM-2. However, it features a dedicated optimized bass driver which offers a superb and tight bass performance, in effect assisting the upper driver with moving substantially more air. A separate and optimized cabinet ensures perfect working conditions for each driver individually as well as an exact lateral musical timing for all the drivers in unison.

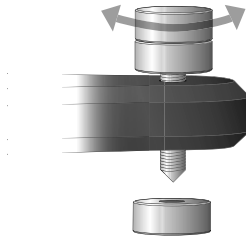
The unique ring radiator tweeter not only yields a useful output far beyond the capability of the human ear, but also provides instruments with their natural harmonic structure, but also adds the crucial benefits of extremely low distortion and coloration of the reproduced material.

Installation

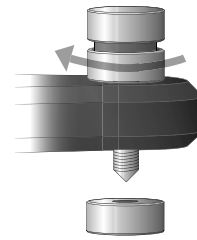
Using spikes (for PM-6 only)



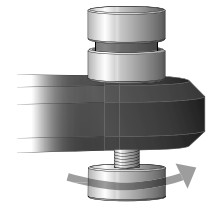
1. Place the 4 spikes in the holes of the plinth by screwing them in clockwise



2. Turn the spikes up or down to adjust the speaker height from the floor, so all spikes are touching the floor at the same time



3. Turn the fastener clockwise until it is positioned tightly against the plinth. Make sure the spike does not turn during the process by grasping the top with your other hand if necessary



4. The spike feet can be applied to protect the surface underneath the spikes

WARNING: Please note that using spikes under your speakers will invariably leave marks on your floor or any other surface that you place the speakers on. Gato Audio cannot accept any responsibility for any type of damage to floor, furniture surfaces, marriage or anything else resulting from the use of spikes. It is up to you and your family to consider carefully beforehand whether the improvements in sound quality and performance will outweigh the possibility of any inconvenience caused.



Mounting the driver grilles

The grilles are easily fastened to the speakers magnetically when the small magnets on the grille are aligned on top of the driver screws.



Connecting your speakers

Connecting your speakers to your amplifier must only be performed with the amplifier turned off. Otherwise damage may occur. Connect the red speaker terminal (+) to the positive speaker output on your amplifier. Now connect the white speaker terminal (-) to the negative speaker output terminal on your amplifier.

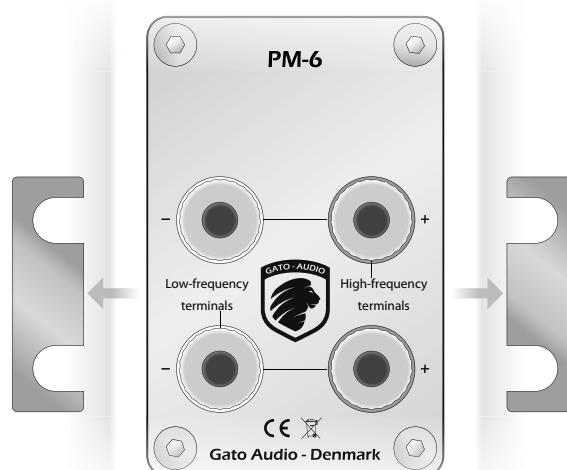
Bi-wiring and bi-amping

The PM speakers features a double set of high-quality gold plated copper binding posts that can accommodate separate cables and/or amplifiers for high and low frequency reproduction respectively.

PLEASE NOTE THE FOLLOWING IMPORTANT INFORMATION:

Permanent damage may occur to your audio system if the copper shorting plates are not removed before connecting more than one amplifier to your speakers!

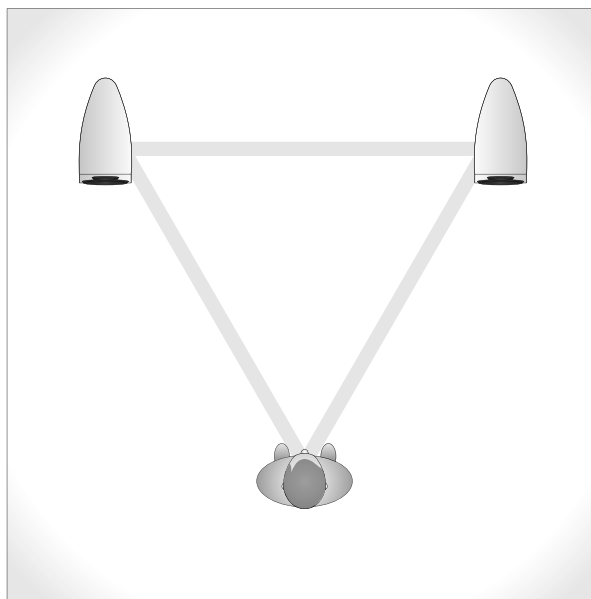
There are many theories about bi-wiring and bi-amping. Our best advice is to experiment with different cables, amplifiers and methods of connection. Whatever performs best in your system might not work equally well in another setup or in a different room. In general, our advice would be to use the same kind of cable both for bi-wiring and bi-amping, and also to use identical amplifiers when bi-amping. This is simply due to the fact that both methods will add more headroom and clarity to the sound reproduction. The introduction of different amplifiers and/or different cables may cause issues with sound integration and cohesive performance.



Placing the speakers

Just like with real estate, location is the most important factor when setting up a high-end audio system. It is impossible to give you an exact instruction via this manual to set up your specific system perfectly in your listening room. However, we can offer you some thumb rules:

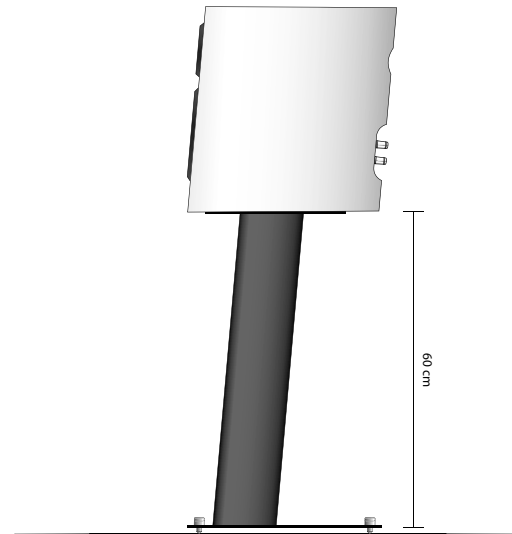
- Place your speakers at least 0.5 m from the rear and side walls. Placing a speaker close to the rear wall will provide an extension in level of bass and coloration of the midrange.
- Basic setup should be an even-sided triangle with equal distance between each speaker as well as the listening position.
- All PM speakers are developed to play facing directly into the listening room, so no toe-in should be needed. However, if the room is very small and the speakers must be placed closely to the side walls, then some degree of toe-in may be useful.
- Hard surfaces like glass, stone and wooden floors create many reflections which can make midrange reproduction sound harsh and with a blurry soundstage. These reflections can be dampened with curtains and carpets.
- Many soft surfaces, thick carpets and furniture may on the other hand provide too much dampening. This may cause the midrange reproduction to become "thin" and lacking in musical timing and energy. In such cases, it is advised to remove some of the dampening items.



In any case, time spent setting up your speakers is by far the most important adjustment parameter for your system. Room acoustics is a complex field with an almost infinite number of variables. Please note that while a setup might work well in your listening room, it may not be the perfect solution in other locations.

For the best result, place the PM-2 on a solid stand at a height of approx. 60 cm.

Take extra care to ensure that both the speaker and stand are not able to vibrate, which otherwise will cause resonances. Make sure that the stand itself is of high quality, stable and preferably filled with sand or other resonance dampening material.



Make it last!

Please apply simple common sense to maintain the sound quality and lifespan of your Gato Audio speakers. Here are a few guidelines:

- Regular care: wipe the surfaces carefully by using a clean soft dry cloth
- Cleaning: if necessary, wipe the hard surfaces clean using a soft cloth dampened only with clean water.
- Grease stains or finger marks on the cabinets can be removed carefully with a clean soft cloth lightly dampened in a mix of clean lukewarm water and a single drop of household washing-up liquid. Then wipe the surfaces dry using a soft dry cloth
- Be careful never to use hot water or any type of concentrated detergent, solvent, thinner, or any other volatile substance on the surfaces, or you may cause permanent damage to the surface coating
- Keep the cabinets away from prolonged contact with rubber or PVC materials
- Do not expose the speakers to direct sunlight or other heat sources

If all else fails...

...don't panic! Every Gato Audio product comes with a minimum 2-year warranty. See our website for details.

This warranty does not cover damage or wear directly or indirectly caused by improper use, violence, tampering with or unauthorized access to or servicing of any part of the product.

If you are in need of service or repair, please do not hesitate to contact us at info@gato-audio.com or visit our website www.gato-audio.com for more information.



Technical stuff

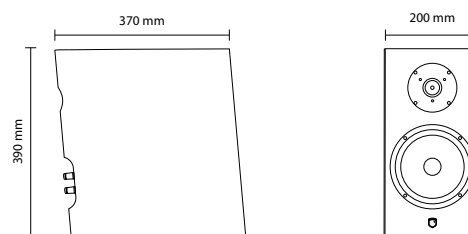
PM-2 technical specifications

Frequency response	50 Hz – 25 kHz (-6 dB)
Sensitivity (2.83 V)	89 dB
Recommended amplifier output	50 to 300 W
Nominal impedance	4 Ω
Connectors	Gold-plated 4 mm plugs, bi-wire

Weight & Dimensions

Weight 11 Kg. / 24.25 lbs.

Dimensions



Drivers

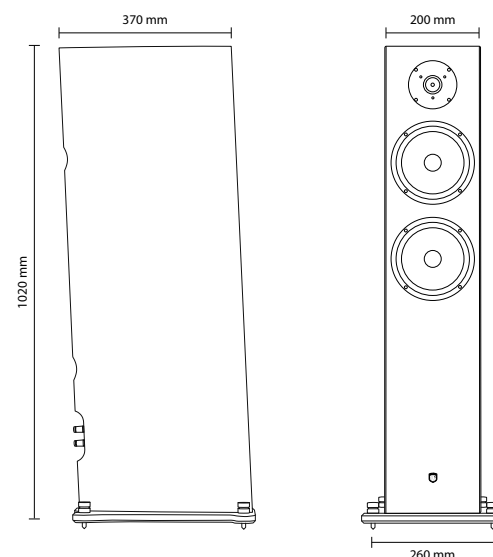
High-Frequency	38 mm ring radiator, powerful ferrite motor and optimised chamber
Mid & Low-Frequency	170 mm paper cone, low loss suspension, motor with shorting rings and optimised voice coil

PM-6 technical specifications

Frequency response	40 Hz – 25 kHz (-6 dB)
Sensitivity (2.83 V)	90 dB
Recommended amplifier output	50 to 300 W
Nominal impedance	4 Ω
Connectors	Gold-plated 4 mm plugs, bi-wire

Weight & Dimensions

Weight	28 kg. / 61.73 lbs.
Dimensions	See illustration →



Drivers

High-Frequency	38 mm ring radiator, powerful ferrite motor and optimised chamber
Mid & Low-Frequency	170 mm paper cone, low-loss suspension, motor with shorting rings and optimised voice coil
Low-Frequency	170 mm paper cone, low-loss suspension, motor with shorting rings



Marielundvej 28
DK-2730 Herlev
Denmark

Phone: +45 4095 2205

www.gato-audio.com
hello@gato-audio.com