

Quick Start Guide

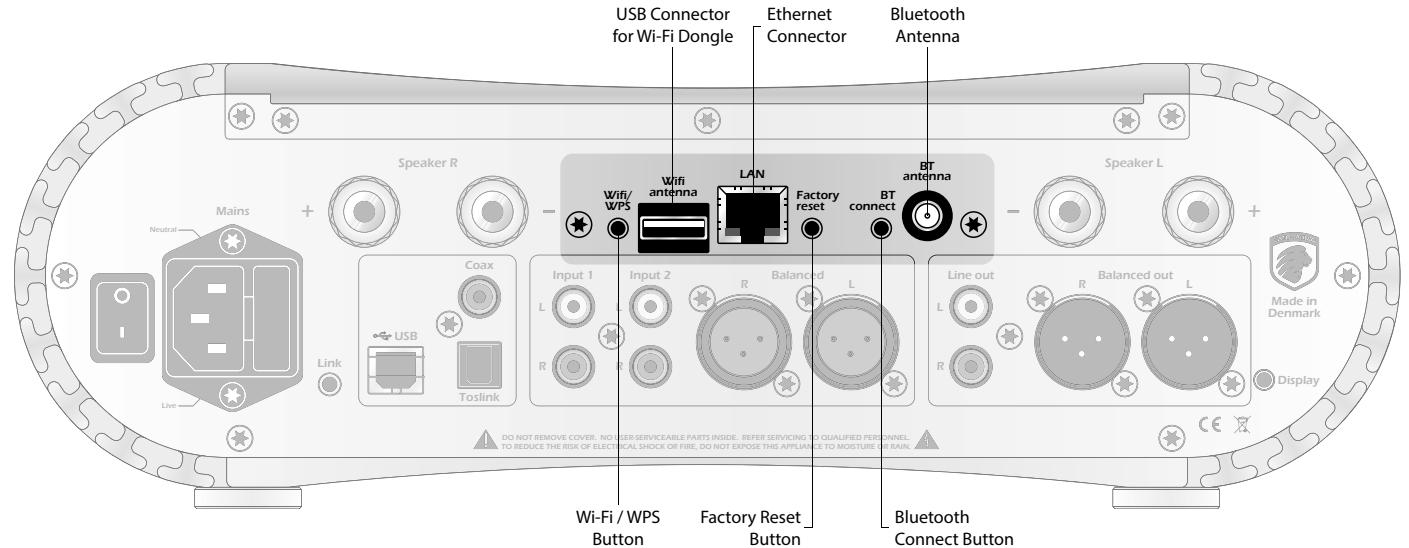
NPM - Network Player Module

Hello!

This quick start guide will help you connect the Gato Audio NPM Network Player Module to a network of your choice and connect to Bluetooth.

For more detailed information about NPM and how to use the control app please read the full NPM manual available online at: www.gato-audio.com/npm

For more detailed information about your amplifier please read the manual following your amplifier.



Wi-Fi / WPS Button:

● Dark	Wi-Fi not connected
● Constant On	Wi-Fi connected
☀️ Blinking	Wi-Fi setup network active
☀️ Fast Blinking	WPS mode activated

Bluetooth Connect Button:

● Dark	Bluetooth inactive
☀️ Blinking	Bluetooth connected
☀️ Fast Blinking	Bluetooth open for connection

Factory Reset Button:

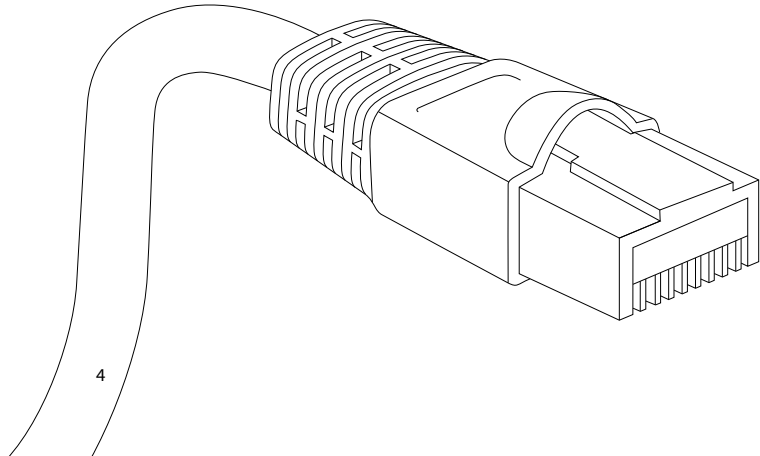
● Dark	Streaming core inactive/booting
● Constant On	Streaming core active and ready

Connecting to a Network by Ethernet Cable

For the most easy and stable network connection we recommend establishing connection with an Ethernet cable. Simply plug in the Ethernet cable into the socket on the back panel of the amplifier. The opposite end of the Ethernet cable should be connected to a router/switch located on the network you wish to connect to.

To avoid network conflicts you should not install the USB Wi-Fi dongle into the NPM while connecting with an Ethernet cable.

Turn on the amplifier and select the NET input channel. Use the Mconnect Control app or Roon to stream music to the NPM. Check www.gato-audio.com/npm to learn more.

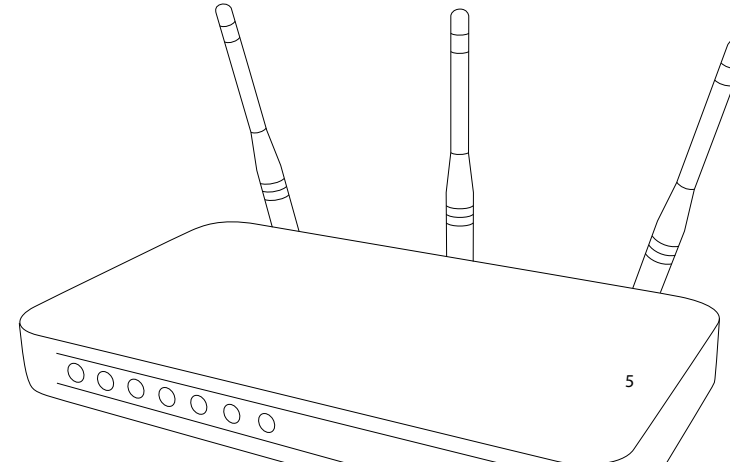


Connecting to Wi-Fi by WPS

If your router supports connection by WPS (Wi-Fi Protected Setup), this is the easiest way to connect to Wi-Fi.

Before setting up, make sure that the NPM is within range of the Wi-Fi router you want to connect to. To avoid any network conflicts also make sure you have not connected an Ethernet cable into the NPM while connecting to Wi-Fi.

1. Screw one of the antennas on to the USB Wi-Fi dongle and insert the USB Wi-Fi dongle into the USB connector on the back panel of the amplifier as shown on page 3.
2. Set your router into WPS mode (please consult the user manual of your router).
3. Set the NPM in WPS mode by press and hold the Wifi/WPS button on the back panel of the amplifier for 7-10 seconds. Connection can take up to two minutes.
4. Select the NET input channel on the amplifier. Use the Mconnect Control app or Roon to stream music to the NPM. Check www.gato-audio.com/npm to learn more.



Connecting to Wi-Fi by App

You can connect the NPM to your Wi-Fi network by using the Mconnect Control app, published by ConversDigital Co., Ltd, available in Apple App Store and GooglePlay.

Before setting up, make sure that the NPM is within range of the Wi-Fi router you want to connect to. To avoid any network conflicts also make sure you have not connected an Ethernet cable into the NPM while connecting to Wi-Fi.

1. Screw one of the antennas on to the USB Wi-Fi dongle and insert the USB Wi-Fi dongle into the USB connector on the back panel of the amplifier as shown on page 3.
2. Turn on the NPM Wi-Fi setup network by press and hold the Wifi/WPS button on the back panel of the amplifier for 2-5 seconds.
3. Go to the Wi-Fi settings of your phone or tablet and connect to the Wi-Fi network of the NPM called eg. "DIA-250S_xx". Password for this network is "password".
4. When connected, open the Mconnect Control app on your phone or tablet and select the "Setup" icon on the top left corner and then "Device Setup".
5. Select "Wifi Network Selection", then select and type in the password for the network you want the NPM to be connected to. The NPM will reset and connect to your Wi-Fi network. This will take about 40 seconds.
6. Select the NET input channel on the amplifier. Use the Mconnect Control app or Roon to stream music to the NPM. Check www.gato-audio.com/npm to learn more.

Connecting to Bluetooth

Before connecting the NPM to a Bluetooth device (your phone, tablet or computer), you need to screw in the antenna to the back of the amplifier where it says "BT antenna", as per the drawing on page 3. To hear music from Bluetooth choose the BT input on your amplifier.

Initial Connection

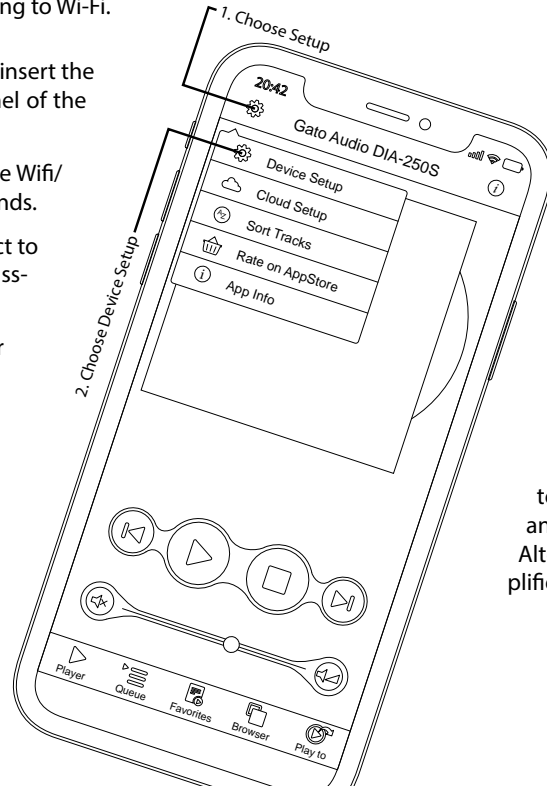
For initial connection press the "BT connect" button on the back of the amplifier once. Then go to the settings of the Bluetooth device (your phone or tablet) and connect to (the model name of your amplifier) eg. "Gato Audio DIA-250S".

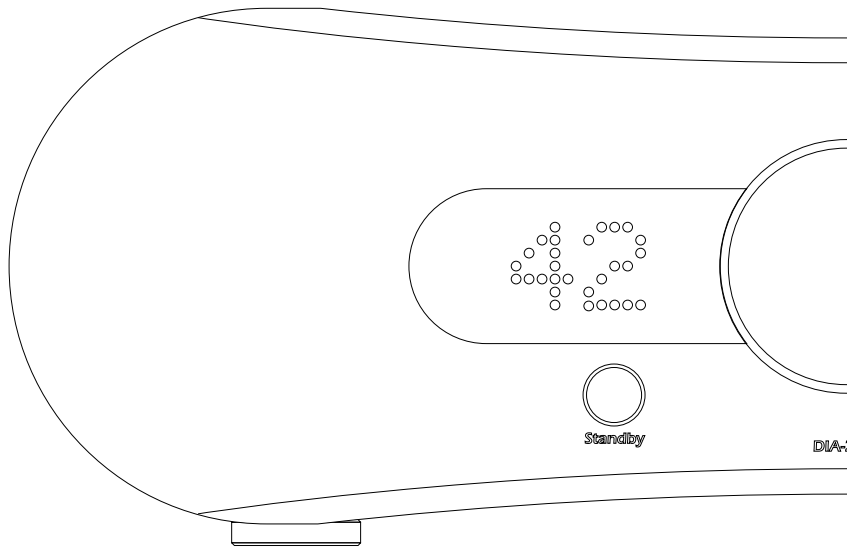
Disable Bluetooth

To disable Bluetooth on the NPM press and hold the "BT connect" button on the back of the amplifier for 2-5 seconds. All connected Bluetooth devices should now be disconnected. To Enable Bluetooth again press and hold the "BT connect" button 2-5 seconds. All previously connected devices should automatically reconnect if they have Bluetooth enabled.

Reconnect

If you stopped the Bluetooth function on your phone or tablet, you will need to reconnect. Go to the settings of the Bluetooth device (your phone or tablet) and connect to (the model name of your amplifier) eg. "Gato Audio DIA-250S". Alternatively enable Bluetooth on your phone or tablet, then turn off your amplifier and turn it back on. The Bluetooth device should automatically reconnect.





www.gato-audio.com